

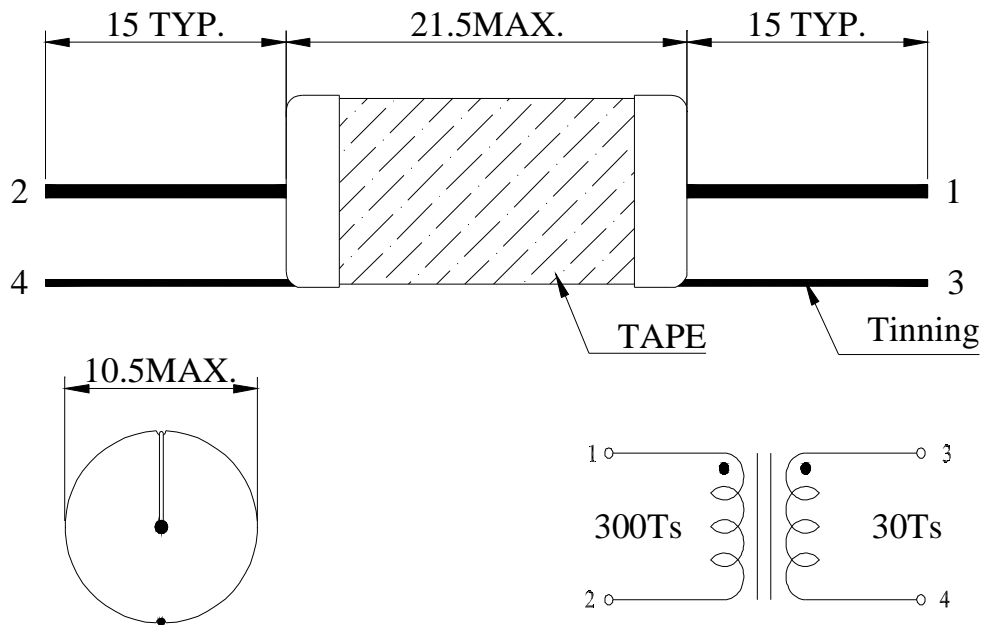
DATA SHEET

UM MODEL NO.:	SPECIFICATION	REV.	
UT30A72	TRANSFORMER	B0	04/51

ELECTRICAL SPECIFICATIONS AT 25 °C

1. INDUCTANCE :3.5mH±10% AT 1KHz , 1V , PIN(1-2).
2. D.C.Resistance : (1) 2.50Ω MAX. PIN(1-2).
(2) 135mΩ MAX. PIN(3-4).
3. TURNS RATIO & PHASE : 10 : 1±6% AT 15.75KHz , 1V , PIN(1-2) : (3-4).
4. DIELECTRIC STRENGTH : 500Vrms/60Hz/0.5mA/2sec , PRI. TO SEC.

DIMENSIONS & SCHEMATICS



NOTE : SPECIFICATIONS ARE SUBJECT TO CHANGE WITHOUT PRIOR NOTICE.

UNIT : mm

E10-007-C



UNIVERSAL MICROELECTRONICS CO.,LTD.
TEL:886-4-23590096 FAX:886-4-23590129
<http://www.umec-web.com> E-mail:business@umec.com.tw

3,27TH RD.,TAICHUNG INDUSTRIAL PARK,
TAICHUNG,TAIWAN,R.O.C