

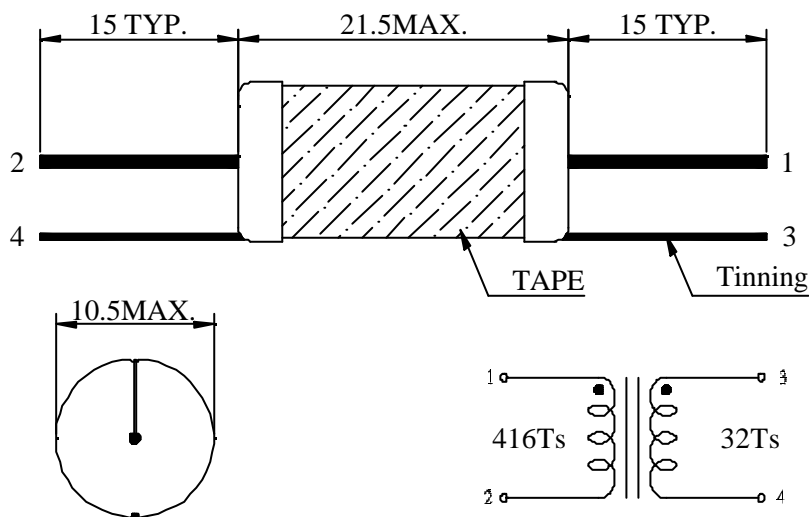
DATA SHEET

UM MODEL NO.:	SPECIFICATION	REV.	
UT30B41	TRANSFORMER	A0	05/27

ELECTRICAL SPECIFICATIONS AT 25 °C

1. INDUCTANCE : 6.8 mH±10% AT 1KHz , 1V , PIN(1-2).
2. D.C.Resistance : (1) 5.40Ω MAX. PIN(1-2).
(2) 180mΩ MAX. PIN(3-4).
3. TURNS RATIO & PHASE : 13 : 1±6% AT 15.75KHz , 1V , PIN(1-2) : (3-4).
4. DIELECTRIC STRENGTH : 500Vrms/60Hz/0.5mA/2sec , PRI. TO SEC.

DIMENSIONS & SCHEMATICS



- NOTE : 1. Packaging Information: TBD.
 2. For RoHS compliant products:
 a.) The UMEC ordering code: **TG-UT30B41**
 b.) Date Code suffix to "G" (xxxxG).
 c.) Solder : Sn/Cu .
 3. Specifications are subject to change without prior notice.

UNIT : mm

E10-007-C

