

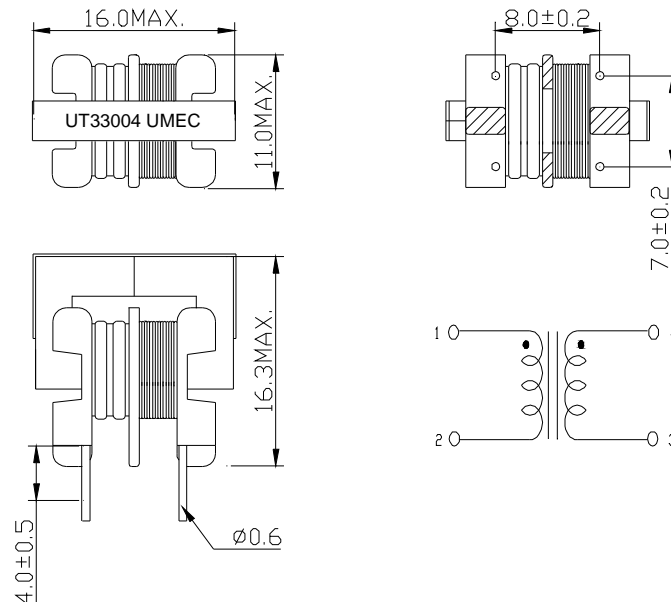
DATA SHEET

UM MODEL NO.:	SPECIFICATION	REV.	
UT33004	INDUCTOR	A0	00/45

ELECTRICAL SPECIFICATIONS AT 25⁰C

- INDUCTANCE: (1) 36.0mH MIN. AT 1KHz , 250mV , Ls , PIN(1-2).
(2) 0.36uH MIN. AT 1KHz , 250mV , Ls , PIN(4-3).
- D.C.Resistance : (1) 11.5Ω MAX. PIN(1-2).
(2) 2.7mΩ MAX. PIN(4-3).
- URNS RATIO &PHASE : 200 : 1 ±1% AT 15.75KHz , 1V , PIN(1-2) : (4-3).
- HI - POT : (1)500Vrms/60Hz/0.5mA/2sec. PIN1 TO PIN4.
(2) 500Vrms/60Hz/0.5mA/2sec. All Windings TO Core.

DIMENSIONS & SCHEMATIC



Note: Specifications are subject to change without prior notice.

UNIT : mm

E10-007-C



UNIVERSAL MICROELECTRONICS CO.,LTD.
TEL:886-4-23590096 FAX:886-4-23590129
<http://www.umec-web.com> E-mail:business@umec.com.tw

3,27TH RD.,TAICHUNG INDUSTRIAL PARK,
TAICHUNG,TAIWAN,R.O.C