

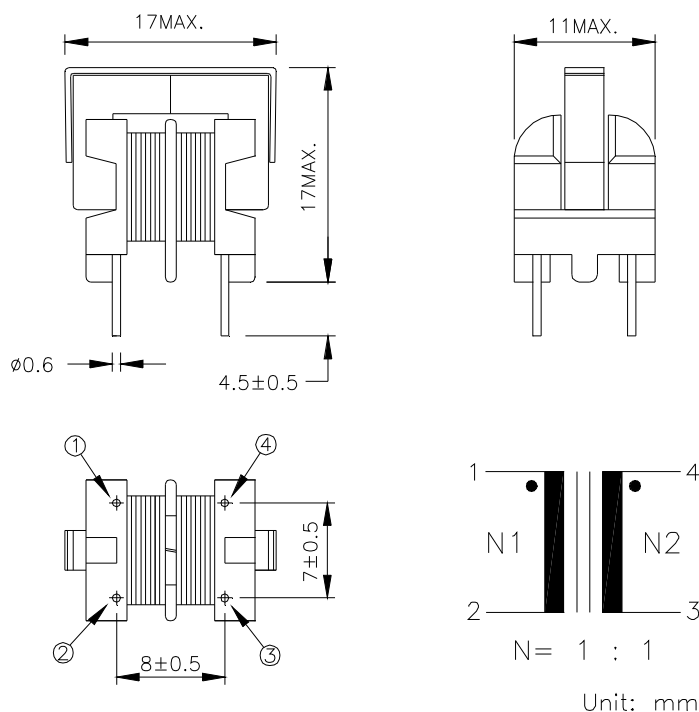
# DATA SHEET

UM MODEL NO.:	SPECIFICATION	REV.	
UT34178	Common Mode Choke	A1	99/24

Electrical Specification at 25<sup>0</sup>C :

- 1.) Inductance: 13mH MIN. at 10KHz 100mV, For each winding
- 2.) Turns Ratio Tolerance:±1%
- 3.) D.C.R. : 4.0Ω MAX. For each winding
- 4.) Impedance : 11KΩ MIN. at 1MHz 1V, PIN(1-2)/(4-3)
- 5.) Dielectric strength : 1500Vac/leakage current 1mA /5second winding to winding
- 6.) Current rate : 300mA MAX.
- 7.) Voltage rate : 53V MAX.
- 8.) Operating temperature : -25<sup>0</sup>C ~ +75<sup>0</sup>C

Dimension & Schematic:



Note: Specifications are subject to change without prior notice.

UNIT : mm



UNIVERSAL MICROELECTRONICS CO.,LTD.  
 TEL:886-4-23590096 FAX:886-4-23590129  
<http://www.umec-web.com> E-mail:business@umec.com.tw

3,27TH RD.,TAICHUNG INDUSTRIAL PARK,  
 TAICHUNG,TAIWAN,R.O.C

E10-007-C