

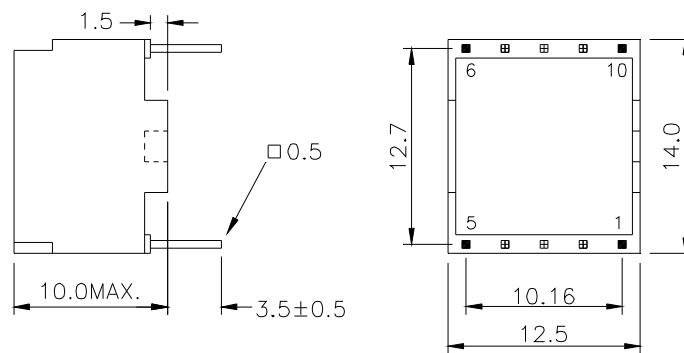
DATA SHEET

UM MODEL NO.:	SPECIFICATION	REV.	
UT34200A	POTS SPLITTER CHOKE FOR ADSL APPLICATION	A0	00/03

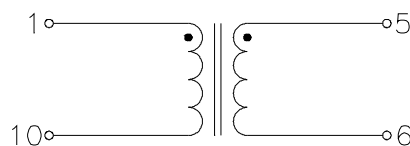
ELECTRICAL SPECIFICATION AT 25°C :

1. TURNS RATIO : 1:1±1% , AT 15.75KHz 1Vrms
2. INDUCTANCE : 9mH±30% , AT 100KHz 20mVrms
3. DC RESISTANCE : 0.6Ω Max.
4. HI-POT : 1500Vrms / 5SEC. LEAKAGE CURRENT 0.5mA Max. BETWEEN WINDINGS

DIMENSIONS & SCHEMATIC



Tolerance: ±0.2
Unit: mm



Note: Specifications are subject to change without prior notice.

E10-007-C



UNIVERSAL MICROELECTRONICS CO.,LTD.
TEL:886-4-23590096 FAX:886-4-23590129
<http://www.umec-web.com> E-mail:business@umec.com.tw

3,27TH RD.,TAICHUNG INDUSTRIAL PARK,
TAICHUNG,TAIWAN,R.O.C