

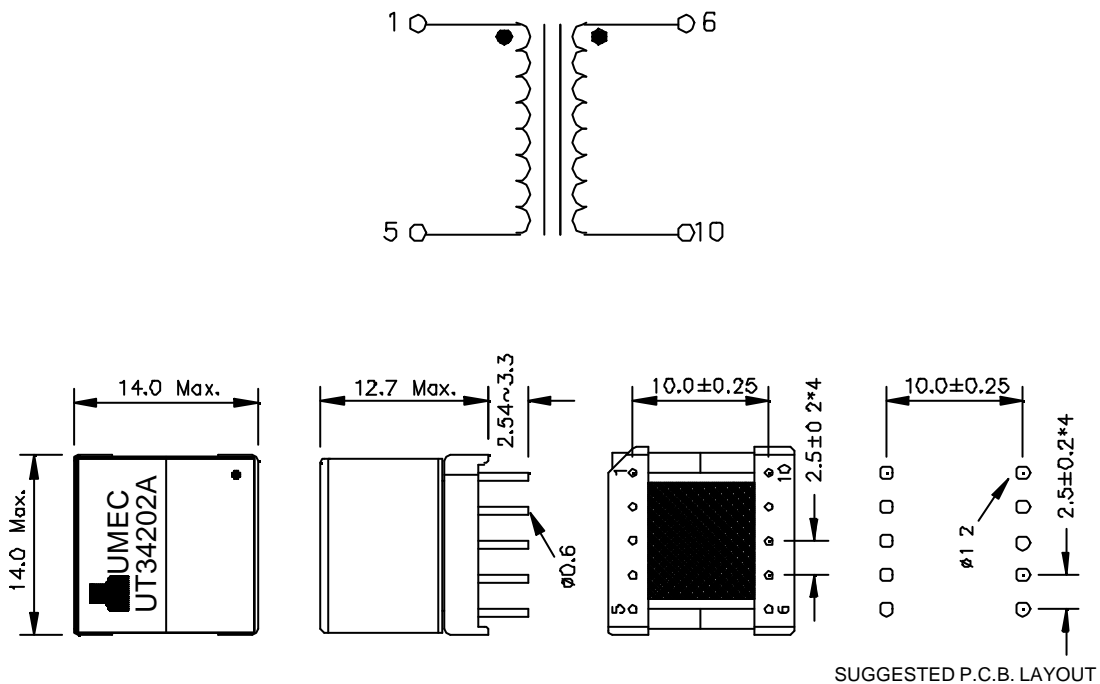
ADSL

UM MODEL NO.:	SPECIFICATION	REV.	
UT34202A	Coupled Inductor Low For Pass Pots Filter	A7	05/18

ELECTRICAL SPECIFICATIONS AT 25°C

1. Inductance : 6.0mH±5% , AT 10KHz 100mV I_{dc}=0~100mA ,Each Windings
2. Inductance Balance : ±2% , AT 10KHz 100mV .
3. D.C.R : 3.4Ω max. , Each Windings
4. D.C.R Balance : ±2% .
5. S.R.F : 496KHz TYP.
6. Q Value : 117TYP. AT 10KHz 100mV , Each Windings
7. Pin 1&6 in Phase.
8. HI-POT : 1.5KVrms / 60 Hz / 0.5 mA / 2 SEC. , PIN(1-5) TO PIN(6-10)

DIMENSIONS & SCHEMATICS :



NOTE: Specifications are subject to change without prior notice.

UNIT : mm

