

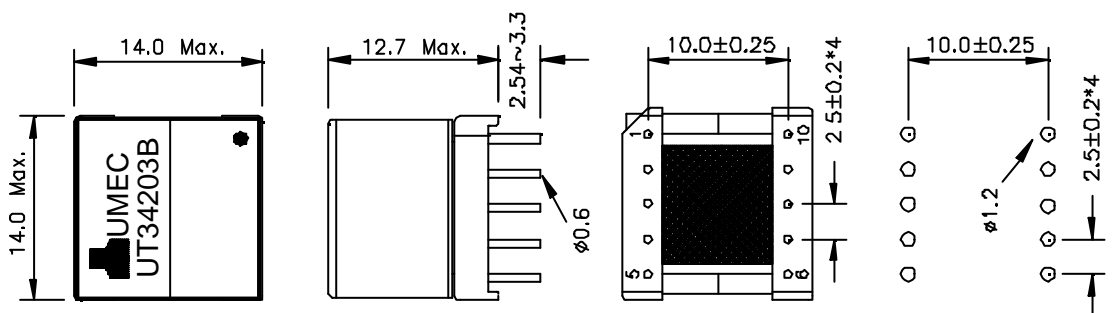
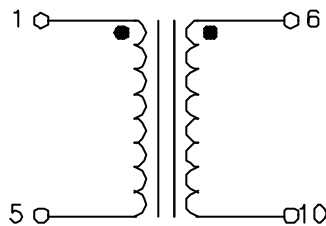
# ADSL

UM MODEL NO.:	SPECIFICATION	REV.	
UT34203B	Coupled Inductor Low Pass Pots Filter	A4	05/53

## ELECTRICAL SPECIFICATIONS AT 25°C

1. Inductance : 4.0mH±5% , AT 10KHz 100mV I<sub>dc</sub>=0~100mA ,Each Windings
2. Inductance Balance : ±2% , AT 10KHz 100mV.
3. D.C.R : 2.4Ω max. , Each Windings
4. D.C.R Balance : ±2% .
5. S.R.F : 567KHz TYP.
6. Q Value : 109 TYP. AT 10KHz 100mV , Each Windings
7. Pin 1&6 in Phase.
8. HI-POT : 1.5KVrms / 60 Hz / 0.5 mA / 2 SEC. , PIN(1-5) TO PIN(6-10)

## DIMENSIONS & SCHEMATICS:



SUGGESTED P.C.B. LAYOUT

UNIT : mm

- NOTE : 1. For RoHS compliant products:
- a.) The UMEC ordering code: **TG-UT34203B**
  - b.) Date Code suffix to "G" (xxxxG).
  - c.) Solder : Sn/Cu .
2. Specifications are subject to change without prior notice.

E10-033-C



UNIVERSAL MICROELECTRONICS CO.,LTD.  
 TEL:886-4-23590096 FAX:886-4-23590129  
<http://www.umec-web.com> Email:business@umec.com.tw

3,27TH RD.,TAICHUNG INDUSTRIAL PARK,  
 TAICHUNG,TAIWAN,R.O.C