

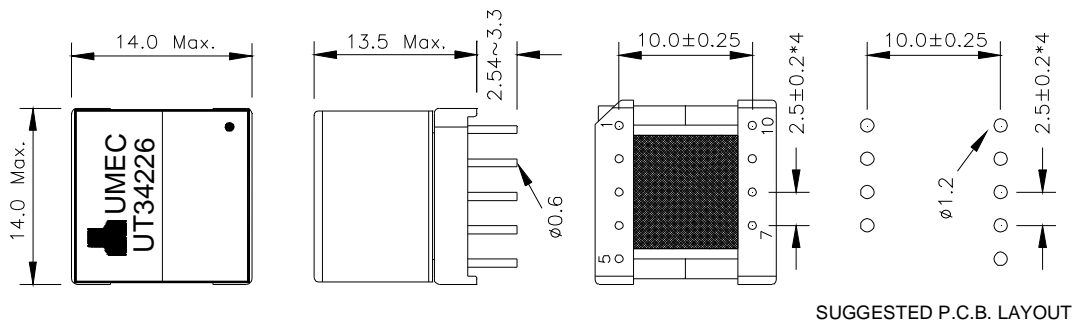
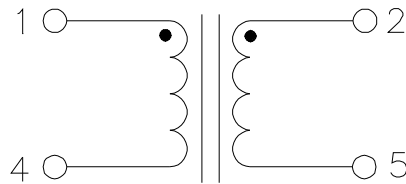
# ADSL

UM MODEL NO.:	SPECIFICATION	REV.	1/1
UT34226	ADSL CHOKES	A2	2001/28

Electrical specifications at 25<sup>0</sup>C

1. Inductance : 5.50mH±5% at 10KHz 1V each windings
2. Inductance : 5.50mH -3.5% Typ. at 10KHz 1V 200mA PIN(1-4)
3. Inductance : 22.0mH -3.5% Typ. at 10KHz 1V 100mA PIN(1-5):(2-4) shorted
4. DCR : 6.0Ω Max. PIN(1-4)
5. DCR : 6.0Ω Max. PIN(2-5)
6. Turns Ratio : 1 : 1± 1% at 15.75KHz 1V PIN(1-4):(2-5)
7. Hi-pot : 1000Vdc 0.5mA 1sec. PIN (1-2)

## Dimensions & Schematics



Note: Specifications are subject to change without prior notice.

Unit : mm



UNIVERSAL MICROELECTRONICS CO.,LTD.  
 TEL:886-4-23590096 FAX:886-4-23590129  
<http://www.umec-web.com> E-mail:business@umec.com.tw

3,27TH RD.,TAICHUNG INDUSTRIAL PARK,  
 TAICHUNG,TAIWAN,R.O.C

E10-033-C