

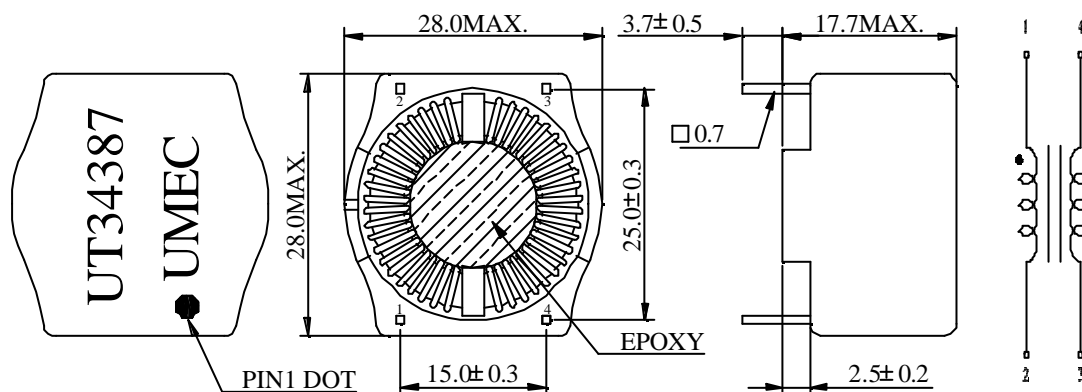
# DATA SHEET

UM MODEL NO.:	SPECIFICATION	REV.	
UT34387	COMMON MODE INDUCTOR	A1	06/19

## ELECTRICAL SPECIFICATIONS AT 25<sup>0</sup>C

1. INDUCTANCE : 27mH+50%-30% AT 10KHz , 1V , Ls , PIN(1-2).
2. LEAKAGE INDUCTANCE : 150uH MAX. AT 10KHz , 1V , PIN(1-2) , PIN4 & 3 Shorted.
3. D.C.Resistance : (1) 450mΩ MAX. PIN(1-2).  
(2) 450mΩ MAX. PIN(4-3).
4. TURNS RATIO & PHASE : 1 : 1±2% AT 15.75KHz 1V , PIN(1-2) : (4-3).
5. DIELECTRIC STRENGTH : 1500Vrms/60Hz/0.5mA/2Sec , PIN1 TO PIN4.

## DIMENSIONS & SCHEMATIC



- NOTE : 1. For RoHS compliant products:
- a.) The UMEC ordering code: **TG-UT34387**
  - b.) Date Code suffix to "G" (xxxxG).
  - c.) Solder : Sn/Cu .
2. Specifications are subject to change without prior notice.

UNIT : mm



UNIVERSAL MICROELECTRONICS CO.,LTD.  
 TEL:886-4-23590096 FAX:886-4-23590129  
<http://www.umec-web.com> Email:business@umec.com.tw

3,27TH RD.,TAICHUNG INDUSTRIAL PARK,  
 TAICHUNG,TAIWAN,R.O.C

E10-007-C