

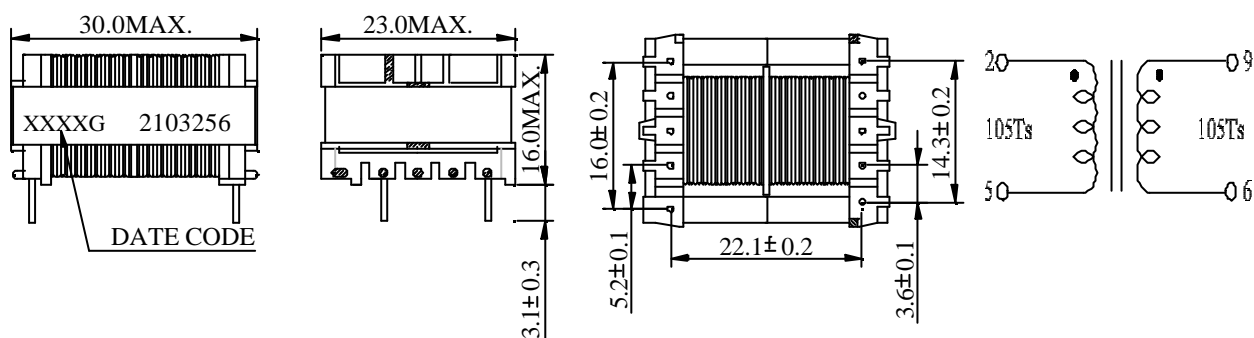
# DATA SHEET

UM MODEL NO.:	SPECIFICATION	REV.	
UT34413	COMMON MODE CHOKE	A0	05/47

## ELECTRICAL SPECIFICATIONS AT 25 °C

- INDUCTANCE : (1) 14.2mH~21.4mH AT 10KHz , 1V , PIN(2-5).  
(2) 14.2mH~21.4mH AT 10KHz , 1V , PIN(9-6).
- DIFFERENTIAL INDUCTANCE :  
0.65mH MAX. AT 10KHz 1V, PIN(2-9), PIN5&6 Shorted.
- D.C.Resistance : (1) 0.5Ω MAX. PIN(2-5).  
(2) 0.5Ω MAX. PIN(9-6).
- TURNS RATIO & PHASE : 105 : 105 AT 15.75KHz , 1V , PIN(2-5):(9-6).
- S . R . F : 150KHz TYP. PIN(2-5).
- DIELECTRIC STRENGTH : 1.5KVrms/50Hz/0.5mA/1sec PIN2,9 TO CORE.

## DIMENSIONS & SCHEMATIC



- NOTE : 1. Packaging Information: TBD.  
 2. For RoHS compliant products:  
 a.) The UMEC ordering code: **TG-UT34413**  
 b.) Date Code suffix to "G" (xxxxG).  
 c.) Solder : Sn/Cu .  
 3. Specifications are subject to change without prior notice.

UNIT : mm

E10-007-C



UNIVERSAL MICROELECTRONICS CO.,LTD.  
 TEL:886-4-23590096 FAX:886-4-23590129  
<http://www.umec-web.com> Email:business@umec.com.tw

3,27TH RD.,TAICHUNG INDUSTRIAL PARK,  
 TAICHUNG,TAIWAN,R.O.C