

DATA SHEET

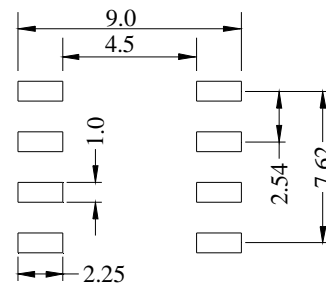
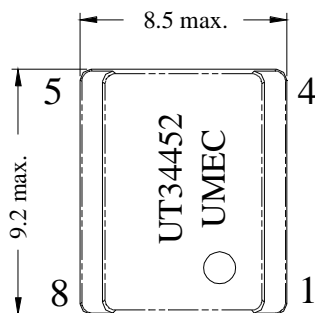
UM MODEL NO.:	SPECIFICATIONS	REV.	
UT34452	SMT GATE DRIVE TRANSFORMER	A0	05/40

Electrical specification at 25°C:

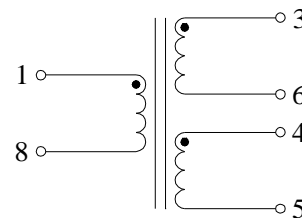
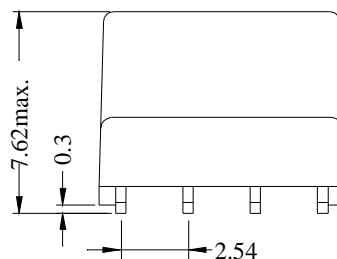
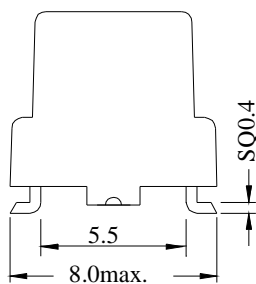
- 1.) Turns Ratio : 1:1:1±2% at 15.75KHz 1V, Pin(1-8):(3-6):(4-5)
- 2.) PRI. Inductance : 3.95mH Min. at 100KHz / 100mV, Pin(1-8)
- 3.) Leakage Inductance : 0.70uH Max. at 100KHz / 1V, Pin(1-8)&(3-6),(4-5)shorted
- 4.) DCR : 1.60Ω Max., Each Winding.
- 5.) ET Value : 45.1V-usec Max.
- 6.) HI-POT : : 1500Vdc/2sec. Leakage Current 0.5mA Max. PRI. to Sec.
- 7.) Operating Temperature : -40°C to +120°C

NOTE: The maximum volt-usec rating limits the peak flux density to 2200 Gauss when used in a unipolar drive application. For bi-polar drive applications a maximum volt-usec of two times this rating acceptable.

Schematic diagram & Dimension:



Suggested PCB layout



- NOTE: 1. For RoHS compliant products:
- a.) UMEC Ordering Code: **TG-UT34452**
 - b.) Date Code suffix to "G" (xxxxG).
 - c.) Solder: Sn/Ag/Cu.
2. Specifications are subject to change without prior notice.

UNIT : mm

Tolerances:±0.25mm



UNIVERSAL MICROELECTRONICS CO.,LTD.
 TEL:886-4-23590096 FAX:886-4-23590129
<http://www.umec-web.com> E-mail:business@umec.com.tw

3,27TH RD.,TAICHUNG INDUSTRIAL PARK,
 TAICHUNG,TAIWAN,R.O.C

E10-007-C