

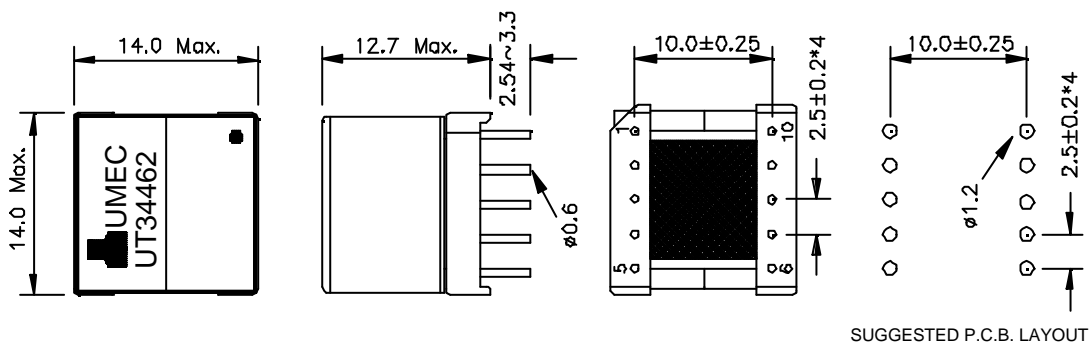
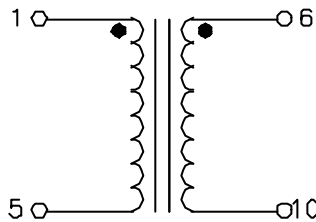
# ADSL

UM MODEL NO.:	SPECIFICATIONS	REV.	
UT34462	Coupled Inductor Low Pass Pots Filter	A0	2006/08

### Electrical specification at 25°C:

- 1.) Turns Ratio and Polarity : 1.0 : 1.0 , PIN(1-5):(6-10).
- 2.) D.C.R. : 5.00Ω max. , PIN(1-5) .  
: 5.00Ω max. , PIN(6-10) .
- 3.) DCR Balance : ±2%
- 4.) Line side Inductance : 4.8mH ±5% , at 10KHz 100mV 0~100mA , EACH WINDINGS.
- 5.) Inductance Balance : ±2%
- 6.) Q : 30 min. ,at 10KHz 100mV , EACH WINDINGS.
- 7.) SRF : 530KHz typ.
- 8.) HI-pot test : 1.5KVac 2s 0.5mA , PIN1 to 6 .

### Schematic diagram & Dimension:



- NOTE :1. For RoHS compliant products:
- a.) The UMEC ordering code: **TG-UT34462**
  - b.) Date Code suffix to "G" (xxxxG).
  - c.) Solder : Sn/Cu .
2. Specifications are subject to change without prior notice.

UNIT : mm

Tolerances : ±0.2mm



UNIVERSAL MICROELECTRONICS CO.,LTD.  
 TEL:886-4-23590096 FAX:886-4-23590129  
<http://www.umec-web.com> Email:business@umec.com.tw

3,27TH RD.,TAICHUNG INDUSTRIAL PARK,  
 TAICHUNG,TAIWAN,R.O.C

E10-033-C