

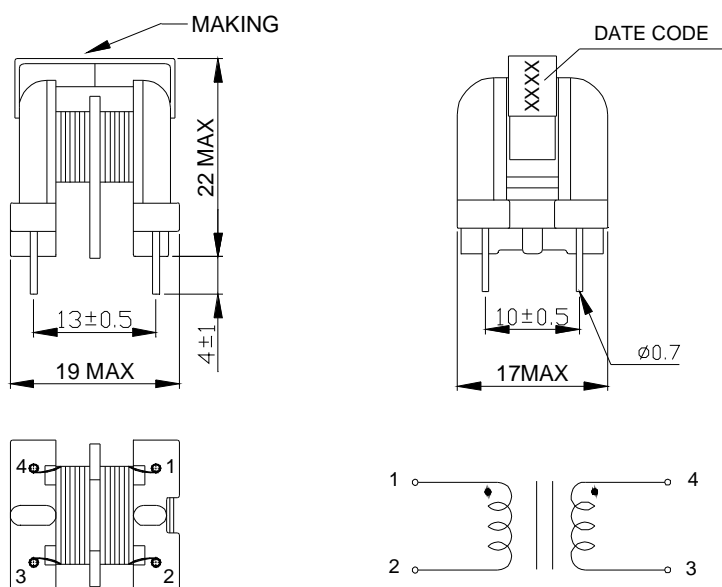
# DATA SHEET

UM MODEL NO.:	SPECIFICATION	REV.	
UT34946	COMMON MODE INDUCTOR	A1	03/20

## ELECTRICAL SPECIFICATION AT 25 °C

1. INDUCTANCE : 1mH MIN. AT 10KHz , 10mV , PIN(1-2).
2. INDUCTANCE DIFFERENCE: 50uH MAX. AT 10KHz ,10mV ,PIN(1-4) ,PIN2,3 SHORTED.
3. D.C.Resistance : (1) 0.3Ω MAX. PIN(1-2).  
(2) 0.3Ω MAX. PIN(4-3).
4. TURNS RATIO & PHASE: 1 : 1±1% AT 15.75KHz , 1V , PIN(1-2):(4-3).
5. INSULATION RESISTANCE : 100MΩ MIN. AT 500Vdc , PIN 1 TO PIN 4.
6. DIELECTRIC STRENGTH: 2000Vrms/60Hz/0.5mA/60sec PIN 1 TO PIN4.
7. RATED CURRENT: 1.3A.
8. TEMPERATURE RISE: 45°C/81°F MAX. (EACH WINDING).
9. OPERATING TEMPERATURE RANGE: -20 TO +105°C/-40 TO +221°F.

## DIMENSIN & SCHEMATIC :



NOTE : specifications are subject to change without prior notice.

UNIT : mm

E10-007-C



UNIVERSAL MICROELECTRONICS CO.,LTD.  
 TEL:886-4-23590096 FAX:886-4-23590129  
<http://www.umec-web.com> E-mail:business@umec.com.tw

3,27TH RD.,TAICHUNG INDUSTRIAL PARK,  
 TAICHUNG,TAIWAN,R.O.C