

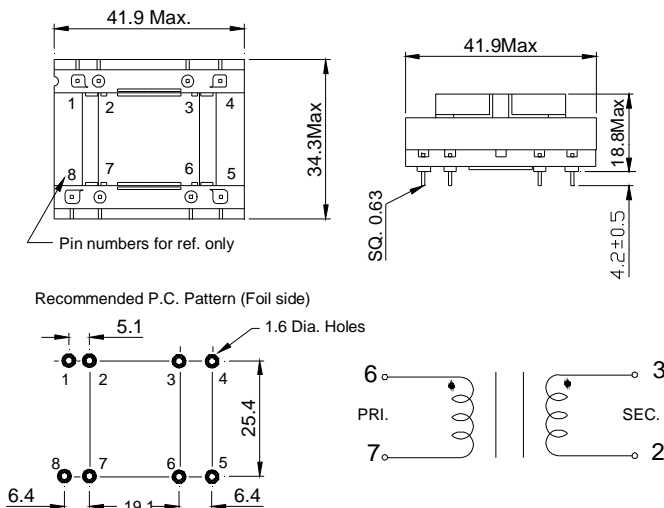
# Telephone Interconnect Transformer – UT40002

## ELECTRICAL SPECIFICATIONS AT 25°C :

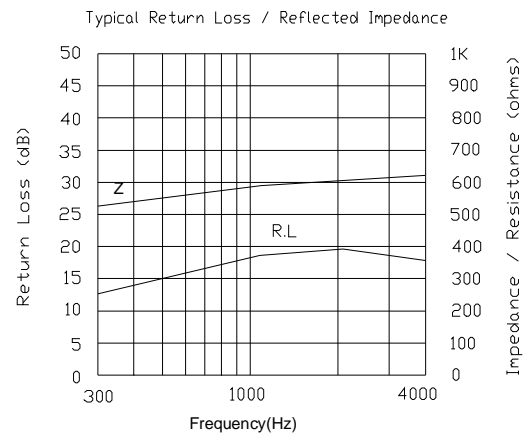
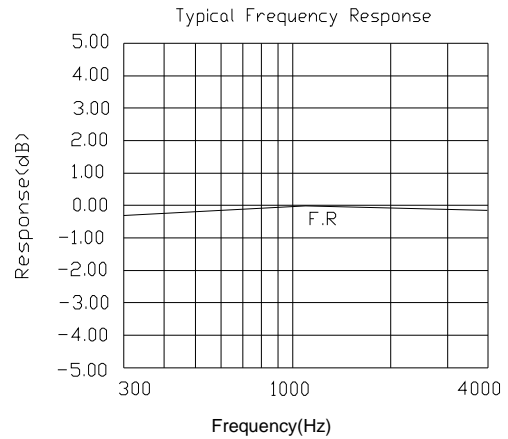
- \*Impedance : PRI.  $600\Omega \pm 10\%$  , @ 1KHz 1V 120mAdc SEC. with  $600\Omega$  load
- \*D.C.Current in PRI. : 120mA max.
- \*D.C.Resistance : PRI.:  $65\Omega \pm 15\%$ .  
SEC.:  $100\Omega \pm 15\%$ .
- \*Dielectric Test : 1500Vac , PRI. to SEC. and windings to core.
- \*Insertion Loss : 1.5dB max. , @ 1KHz.
- \*Frequency Response :  $\pm 0.5\text{dB}$  max. , @ 300Hz to 3.5KHz.  
( ref. 1KHz 0dB )
- \*Total Harmonic Distortion : 0.1% max. , @ 600Hz 2dBm .
- \*Return Loss : 11dB min. , @ 300Hz to 4KHz ( ref.  $600\Omega$  ).
- \*Longitudinal Balance : 60dB min. , @ 200Hz to 1KHz  
40dB min. , @ .1KHz 4KHz

NOTE : Specifications are subject to change without prior notice.

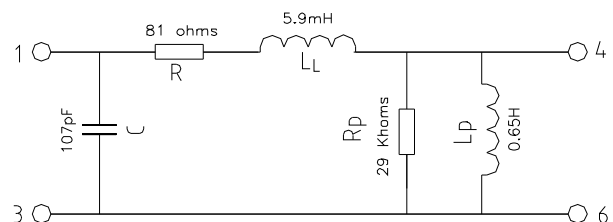
## SCHEMATIC DIAGRAMS & DIMENSIONS :



## TYPICAL GRAPHS :



## SPICE TRANSMISSION MODEL :



UNIVERSAL MICROELECTRONICS CO.,LTD.  
TEL:886-4-23590096 FAX:886-4-23590129  
<http://www.umec-web.com> E-mail:business@umec.com.tw

3,27TH RD.,TAICHUNG INDUSTRIAL PARK,  
TAICHUNG,TAIWAN,R.O.C

REV A2 DEC , 1999