

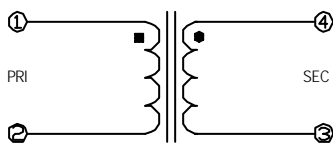
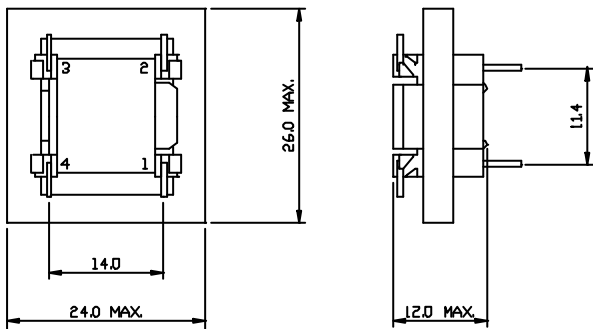
# Modem Coupling Transformer – UT40015

## ELECTRICAL SPECIFICATIONS AT 25°C :

- \*Impedance : Designed to reflect 600ohms on PRI.  
with 470 ohms on SEC.
- \*Turns Ratio : 1:1 ± 2%
- \*D.C.Current in PRI. : 100mADC max
- \*D.C.Resistance : PRI.:108ohms ± 15%  
SEC.:125ohms ± 15%
- \*Dielectric Test : 1250Vac 0.5mA 1sec., PRI. to SEC.
- \*Insertion Loss : 2.0 ± 0.5dB , at 1KHz 0dBm.
- \*Frequency Response : ±2.5dB , @ 300Hz to 600Hz, ref 1KHz.  
±0.65dB , @ 600Hz to 3.5KHz
- \*Return Loss : 18dB Min. , 300Hz to 3KHz.
- \*Longitudinal Balance : 60dB min. , @ 200Hz to 1KHz.  
40dB min. , @ 1KHz to 4KHz

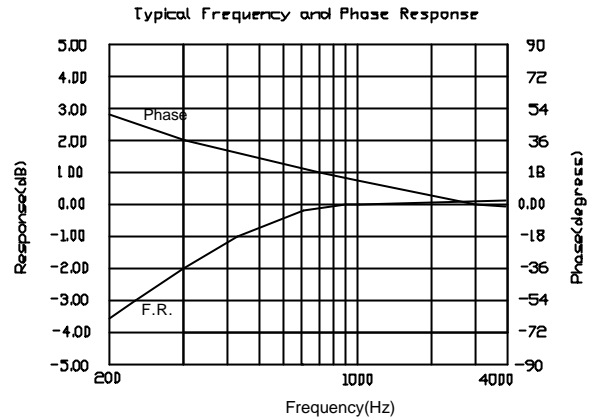
Note: Specifications are subject to change without prior notice.

## SCHEMATIC DIAGRAMS & DIMENSIONS :



UNIT : mm

## TYPICAL GRAPHS :



Typical Reactance and Return Loss vs. 600 ohms

