

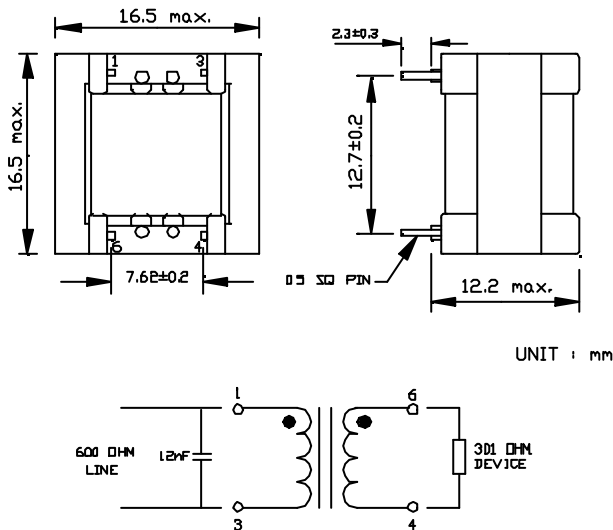
Modem Coupling Transformer – UT41652

ELECTRICAL SPECIFICATIONS AT 25°C :

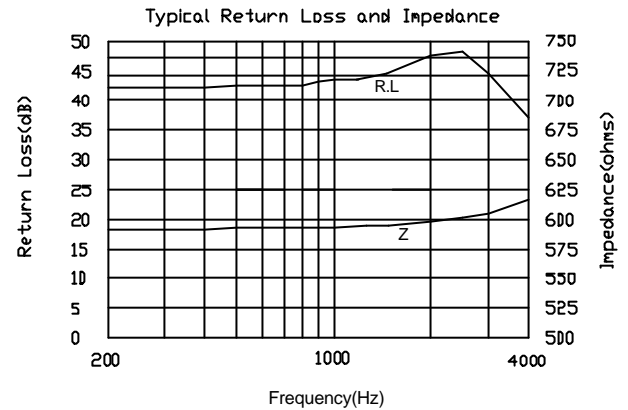
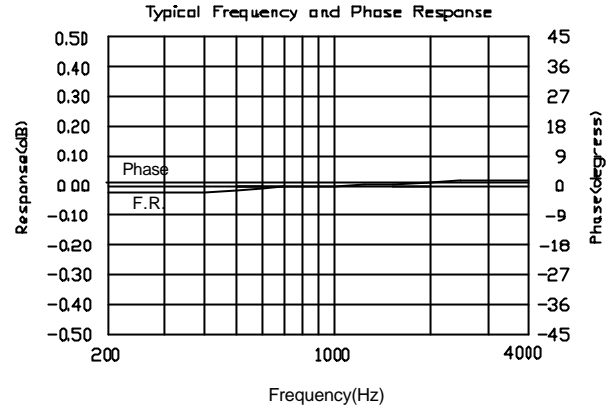
- *Impedance : Designed to reflect 600ohms on PRI.
with 301ohms on SEC.
- *Turns Ratio : 1:1 ±2%
- *D.C.Current in PRI. : None.
- *D.C.Resistance : PRI.:150ohms ±10%.
SEC.:150ohms ±10%.
- *Dielectric Test : 1500Vac 1mA , 1minute PRI. to SEC.
- *Insertion Loss : 3.0±0.3dB , at 1KHz 0dBm.
- *Frequency Response : ±0.2dB , 200Hz to4KHz , ref 1KHz.
- *Total Harmonic Distortion : -86dB max. , at 300Hz , -10dBm .
-80dB max. , at 150Hz , -3dBm.
- *Return Loss : 32dB min. , 250Hz to 4KHz.
- *Longitudinal Balance : 80dB min. , 200Hz to 4KHz.
- *Inductance : 35H min. @250Hz 1Vrms , (parallel mode.)

- NOTE :1. For RoHS compliant products:
 a.) UMEC Ordering Code: **TG-UT41652**
 b.) Date Code suffix to "G" (xxxxG).
 c.) Solder: Sn/ Cu.
 2. Specifications are subject to change without prior notice.

SCHEMATIC DIAGRAMS & DIMENSIONS :



TYPICAL GRAPHS :



SPICE TRANSMISSION MODEL :

