

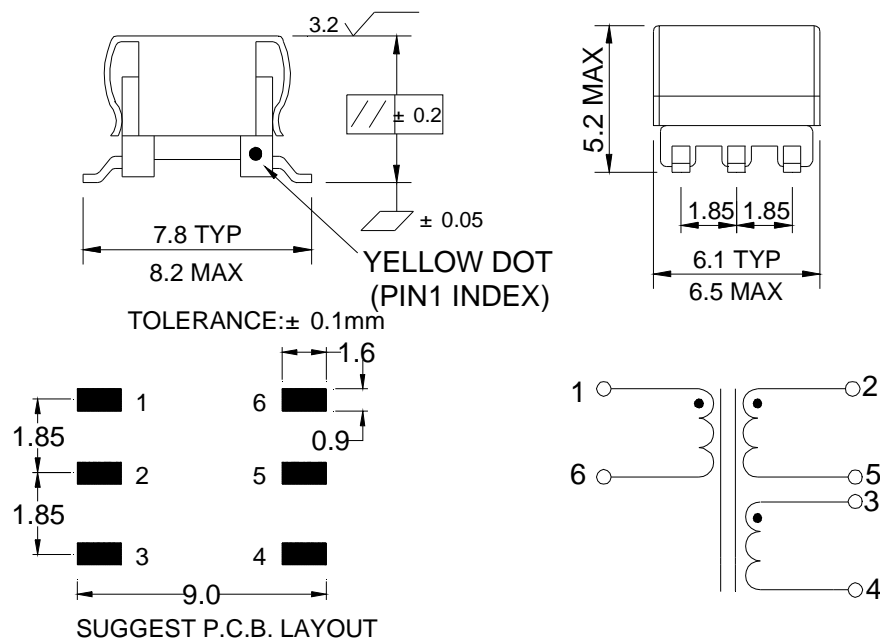
# DATA SHEET

UM MODEL NO.:	SPECIFICATIONS	REV.	1/1
UT50701C	TRANSFORMERS	A1	01/26

## Electrical Specifications at 25<sup>0</sup>C

1. Inductance : 2.45mH Min. at 1KHz 0.5mA, Pin(1-6)
2. Turns Ratio & Polarity : 1:1:1±2% at 15.75KHz 1V Pin(1-6):(2-5):(3-4)
3. DCR : 3.5Ω Max. each windings
4. Hi-Pot : 0.5KVrms 0.5mA 1min. winding to core
5. Insertion Loss : 0.8dB Max. at 2.05MHz
6. Frequency Response : -3dB Min. at 0.02 ~ 20MHz
7. Return Loss : -23dB Min. at 0.04 ~ 4MHz , Ref. : 75Ω
8. Impedance : 75Ω: 300Ω at 1MHz 1V Pin(1-6):(2-4) , (3-5) shorted
9. Operating temperature range -40 ~+85°C.

## Dimensions & Schematics



NOTE: PACKAGING INFORMATION-TAPE AND REEL  
 ACCORDING TO ITEM NO. "EE5S01" OF DATA SHEET 01-00

Unit : mm

E10-007-C



UNIVERSAL MICROELECTRONICS CO.,LTD.  
 TEL:886-4-23590096 FAX:886-4-23590129  
<http://www.umec-web.com> E-mail:business@umec.com.tw

3,27TH RD.,TAICHUNG INDUSTRIAL PARK,  
 TAICHUNG,TAIWAN,R.O.C