

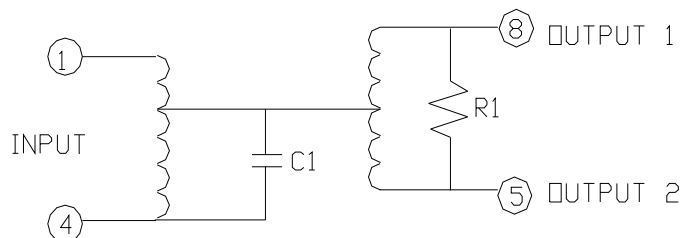
DATA SHEET

UM MODEL NO.:	SPECIFICATIONS	REV.	
UT90232	75 Ω TO 75 Ω *2 OUT POWER SPLITTERS	A0	99/38

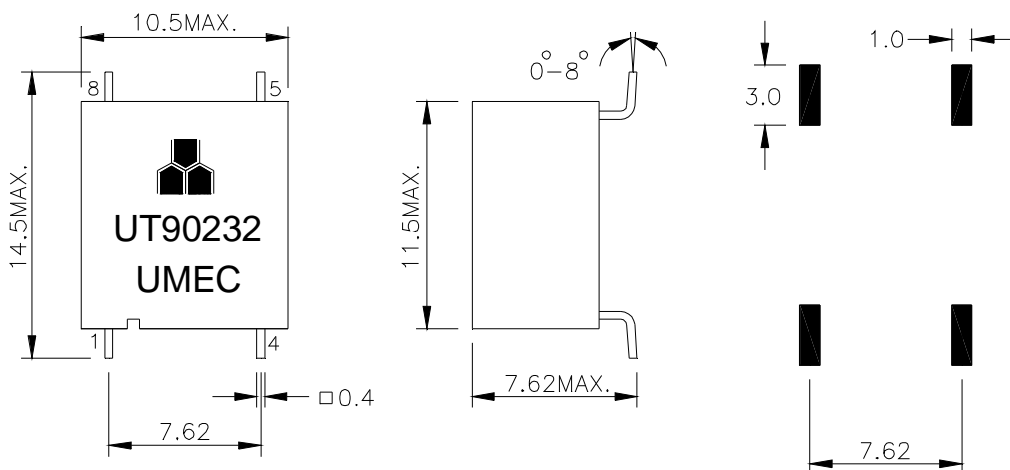
Electrical Specifications at 25⁰C:

- 1.Frequency Range :5 -- 860MHz.
- 2.Return Loss :-16dB max. 75Ω ref. All gates.
- 3.Frequency Flatness : ±0.7dB max. at 860MHz 0dB ref.
- 4.Isolation : -20dB max. between output 1 and output 2.

Schematic diagram:



Dimensions:



COPLANARITY : 0.1mm

- NOTE: 1.PACKAGING INFORMATION-TAPE AND REEL
 ACCORDING TO ITEM NO. "K10S" OF DATA SHEET 01-00
 2.Specifications are subject to change without prior notice.

UNIT: mm

Tolerances: ±0.2mm



UNIVERSAL MICROELECTRONICS CO.,LTD.
 TEL:886-4-23590096 FAX:886-4-23590129
<http://www.umec-web.com> E-mail:business@umec.com.tw

3,27TH RD.,TAICHUNG INDUSTRIAL PARK,
 TAICHUNG,TAIWAN,R.O.C

E10-007-C