

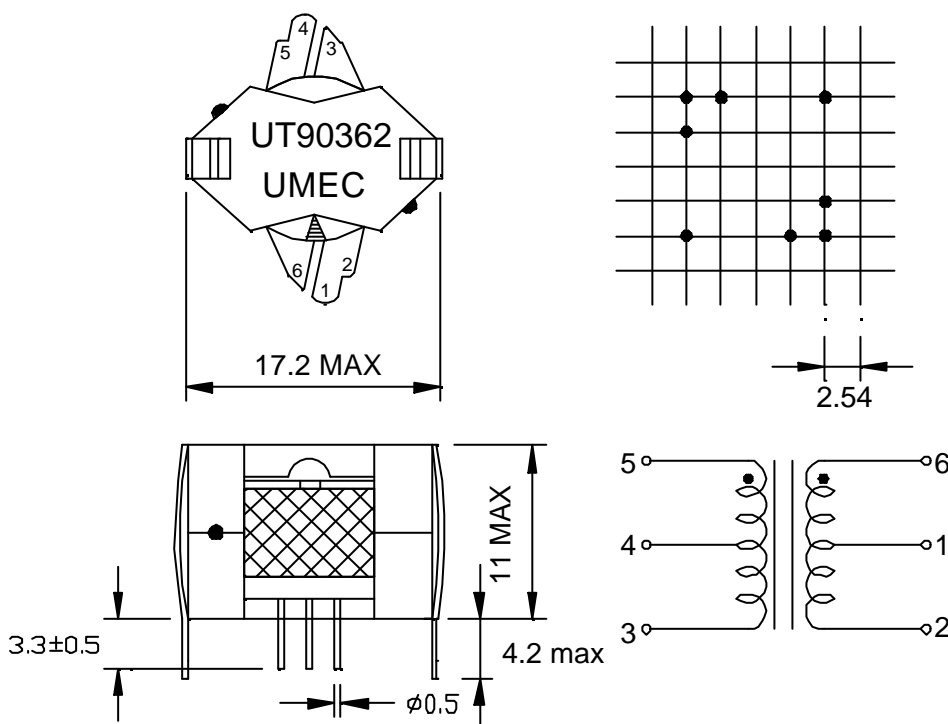
DATA SHEET

UM MODEL NO.:	SPECIFICATIONS	REV.	
UT90362	Transformer RM5	A2	05/43

Electrical specification at 25°C:

- 1.) Turns Ratio and Polarity : 1.415 : 1 ±2% , PIN(6-2):(5-3).
- 2.) D.C.R. : 56.5Ω±15% , PIN(5-4).
: 72.0Ω±15% , PIN(6-1).
: 72.0Ω±15% , PIN(1-2).
: 62.0Ω±15% , PIN(4-3).
- 3.) Inductance : 1.7H min., at 1KHz 10mV, PIN(5-3).
- 4.) HI-pot test : 500Vac 0.5mA 2s , PIN5 to 6.
: 500Vac 0.5mA 2s , windings to core.

Schematic diagram & Dimension:



- NOTE : 1. For RoHS compliant products:
 a.) The UMEC ordering code: **TG-UT90362**
 b.) Date Code suffix to "G" (xxxxG).
 c.) Solder : Sn/Cu .
2. Specifications are subject to change without prior notice.

UNIT : mm

