

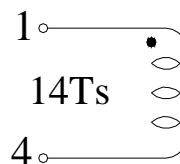
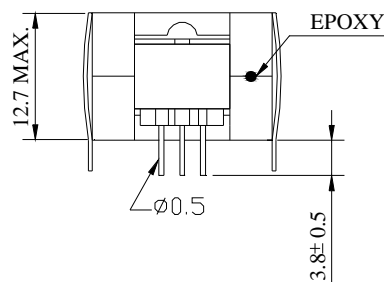
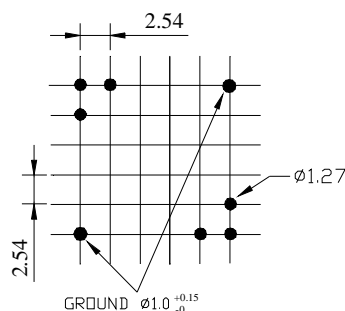
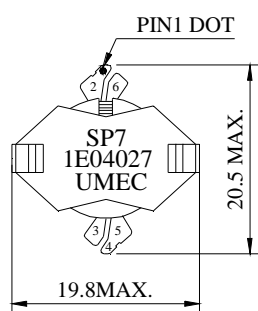
# DATA SHEET

UM MODEL NO.:	SPECIFICATION	REV.	
UT90382	TRANSFORMER	A0	03/15

ELECTRICAL SPECIFICATION AT 25 °C

1. INDUCTANCE : 49uH±10% AT 10KHz , 50mV , PIN(1-4).
2. D.C.Resistance : 18mΩ MAX. , PIN(1-4).
3. DIELECTRIC STRENGTH : 500Vrms/60Hz/0.5mA/2sec ALL WINDINGS TO CORE.

## DIMENSIONS & SCHEMATICS



Note: Specifications are subject to change without prior notice.

UNIT : mm

E10-007-C



UNIVERSAL MICROELECTRONICS CO.,LTD.  
 TEL:886-4-23590096 FAX:886-4-23590129  
<http://www.umec-web.com> E-mail:business@umec.com.tw

3,27TH RD.,TAICHUNG INDUSTRIAL PARK,  
 TAICHUNG,TAIWAN,R.O.C