

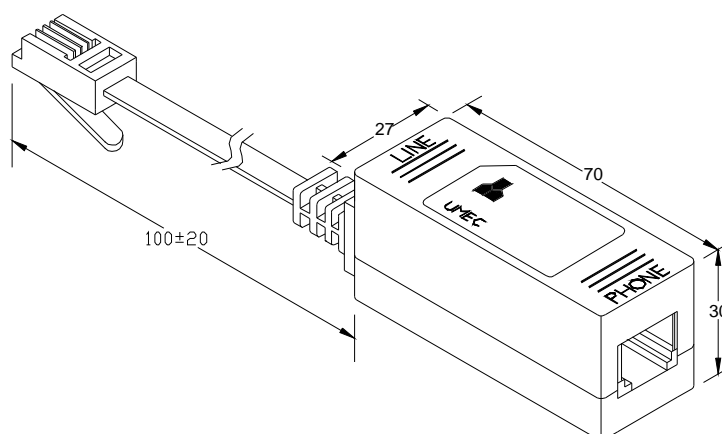
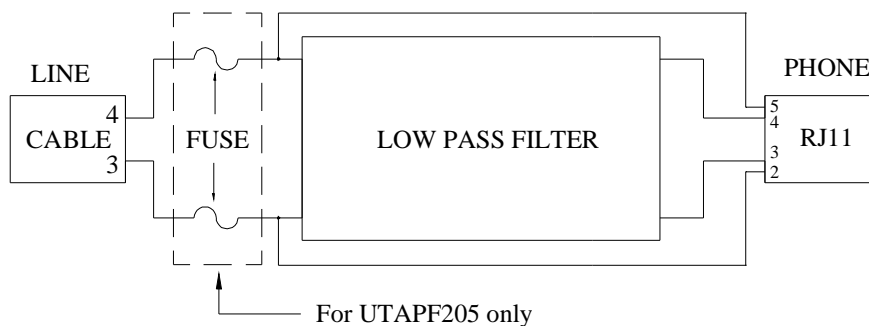
# ADSL

UM MODEL NO.:	SPECIFICATIONS	REV.	1/1
UTAPF201	ADSL POTS SPLITTER	B1	2002/40

## Electrical specification at 25°C:

- 1.) Insertion Loss : 0.5dB max. , 200Hz to 4kHz , Line to Phone .
- 2.) Cut Off Frequency (-3dB) : 9.5KHz  $\pm$ 10% .  
: 25dB min., at 20KHz, Line to Phone .
- 3.) Attenuation : 35dB min., at 25KHz, Line to Phone .  
: 55dB min., at 48KHz, Line to Phone .  
: 30dB min., at 1MHz , Line to Phone .
- 4.) Return Loss : 25dB min. , at 1KHz , Line to Phone , Phone with 600 $\Omega$
- 5.) Pass Band Ripple :  $\pm$ 0.5dB ,at 200Hz , 1KHz 0dB ref.  
:  $\pm$ 0.5dB ,at 4KHz , 1KHz 0dB ref .

## Schematic diagram & Dimension:



Connector/Function	Style	Tip	Ring
LINE	CABLE (6P4C)	Pin 3	Pin 4
PHONE	RJ11	Pin 3	Pin 4

UNIT : mm

Tolerances :  $\pm$ 0.2mm



UNIVERSAL MICROELECTRONICS CO.,LTD.  
 TEL:886-4-23590096 FAX:886-4-23590129  
 http://www.umec-web.com E-mail:business@umec.com.tw

3,27TH RD.,TAICHUNG INDUSTRIAL PARK,  
 TAICHUNG,TAIWAN,R.O.C

E10-033-C