

# ADSL/POTS

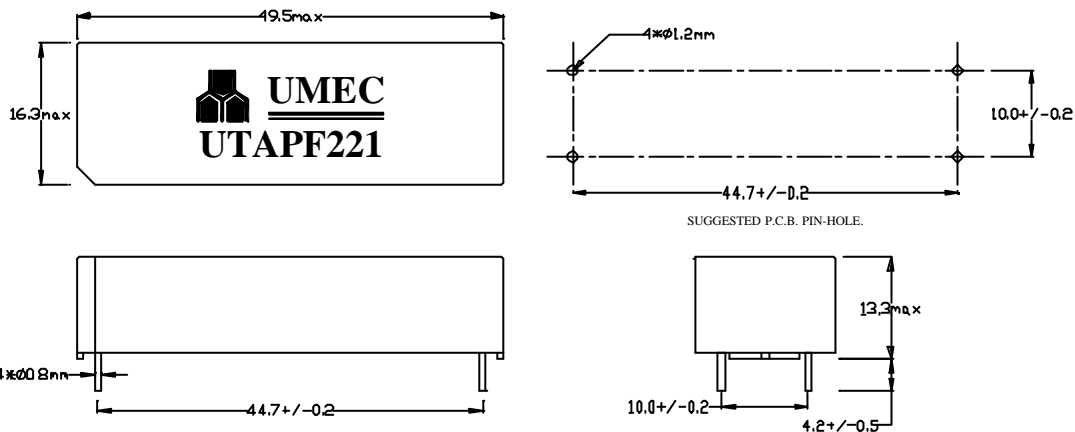
UM MODEL NO.:	SPECIFICATIONS	REV.	
UTAPF221	ADSL POTS CO SPLITTER	B0	2005/30

## Electrical specification at 25°C:

- 1.) Impedance :  $Z_R = 320\Omega + (1050\Omega // 230nF)$  ;  $Z_{SL} = 82\Omega + (600\Omega // 68nF)$  .
- 2.) Total D.C.R. : 50 $\Omega$  max. , PIN(2-3),PIN(1-4)connected .
- 3.) Insertion Loss : 1.0dB max. ,at 1K Hz ,Line to Phone , Line with  $Z_{ADSL}$  , terminated impedance with  $Z_R / 600\Omega$  .
- 4.) Pass Band Ripple :  $\pm 1.0dB$  max. , 100Hz to 4000Hz , 1KHz 0dB ref,  
Line to Phone , Line with  $Z_{ADSL}$  , terminated impedance with  $Z_R / 600\Omega$  .
- 5.) Attenuation : 55dB min. , 32KHz to 1.1MHz , Line to Phone , Line with  $Z_{ADSL}$  .
- 6.) Return Loss. : 12dB min.,100Hz to 3400Hz ,Line $\leftrightarrow$ Phone ,Line with  $Z_{ADSL}$  ,terminated impedance with  $Z_R / Z_{SL}$  .  
: 8dB min. ,3400Hz to 4000Hz ,Line $\leftrightarrow$ Phone ,Line with  $Z_{ADSL}$  ,terminated impedance with  $Z_R / Z_{SL}$  .
- 7.) Longitudinal Balance : 40dB min. , 100Hz to 600Hz , Line to Phone.  
: 46dB min. , 600Hz to 3400Hz , Line to Phone.  
: 40dB min. , 3400Hz to 4000Hz , Line to Phone.
- 8.) Group Delay : 250 $\mu$ Sec max. , 100Hz to 4000Hz .
- 9.) Line Side Impedance : 1.0K $\Omega$  min. , 32KHz to 1.1MHz ,PIN(1-4) .
- 10.) Isolation resistance : 5.0M $\Omega$  min. with 100V<sub>DC</sub> ,PIN(1-2) to PIN(3-4) .

Note: Designed to meet ETSI specification TS101-952-1-1 & TR 101 728-V1.2.1.

## Schematic diagram & Dimensions:



UNIT : mm

